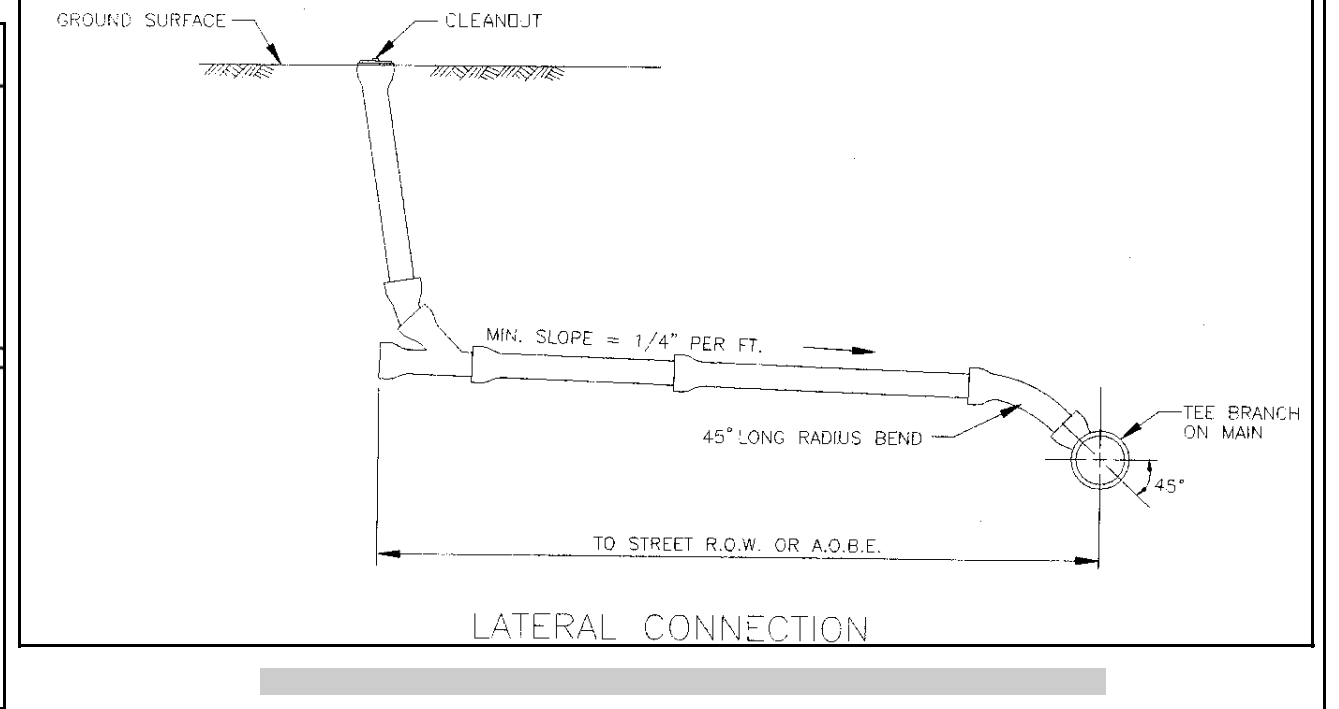
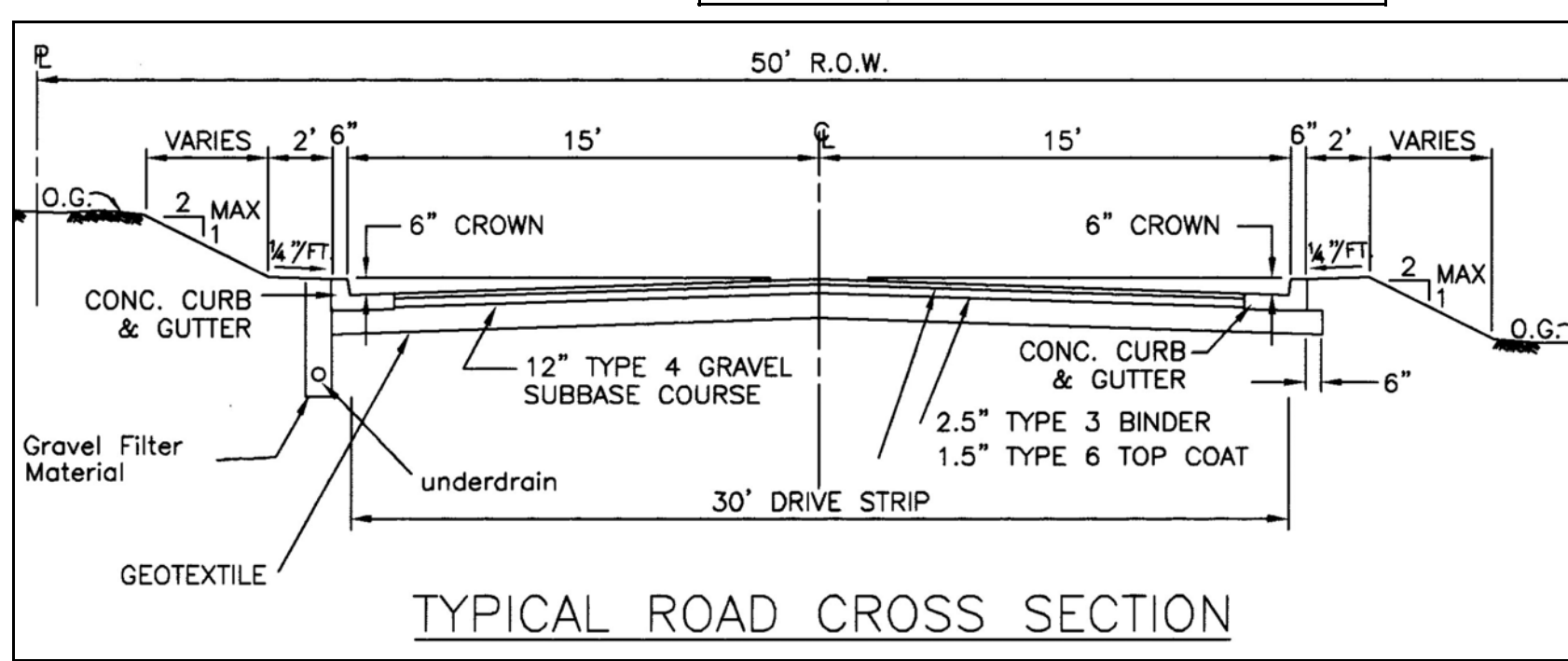
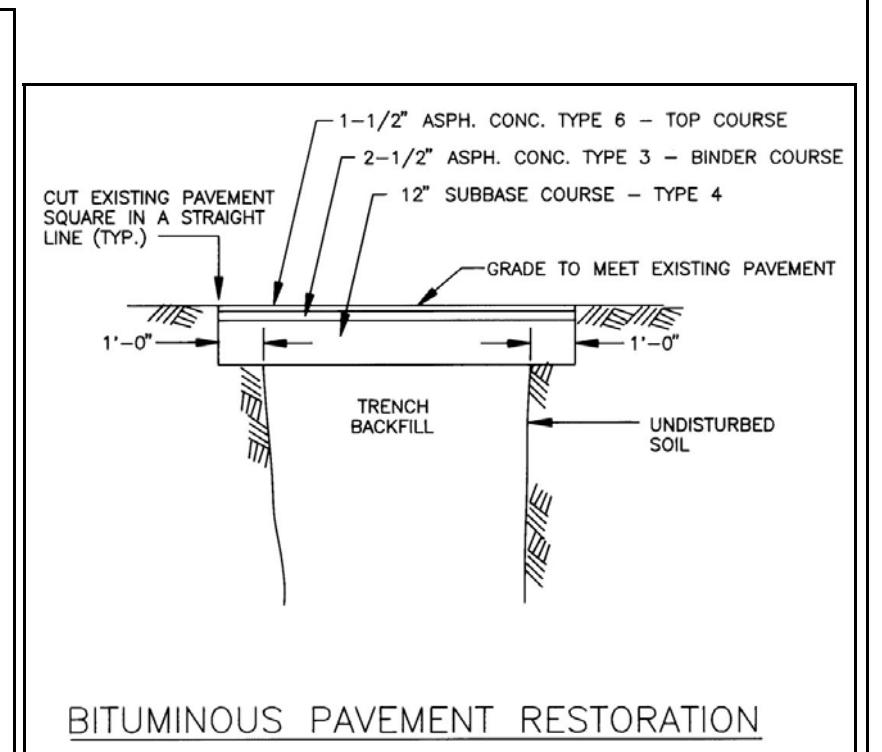
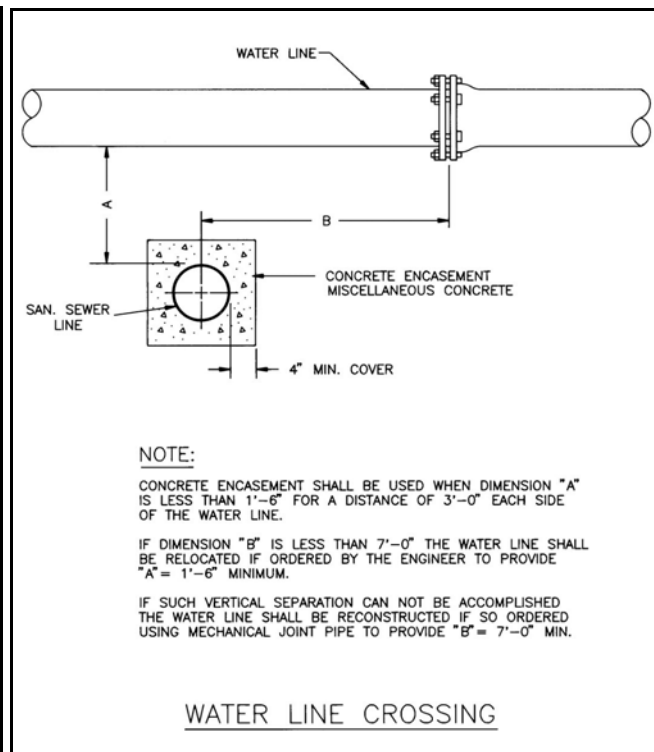
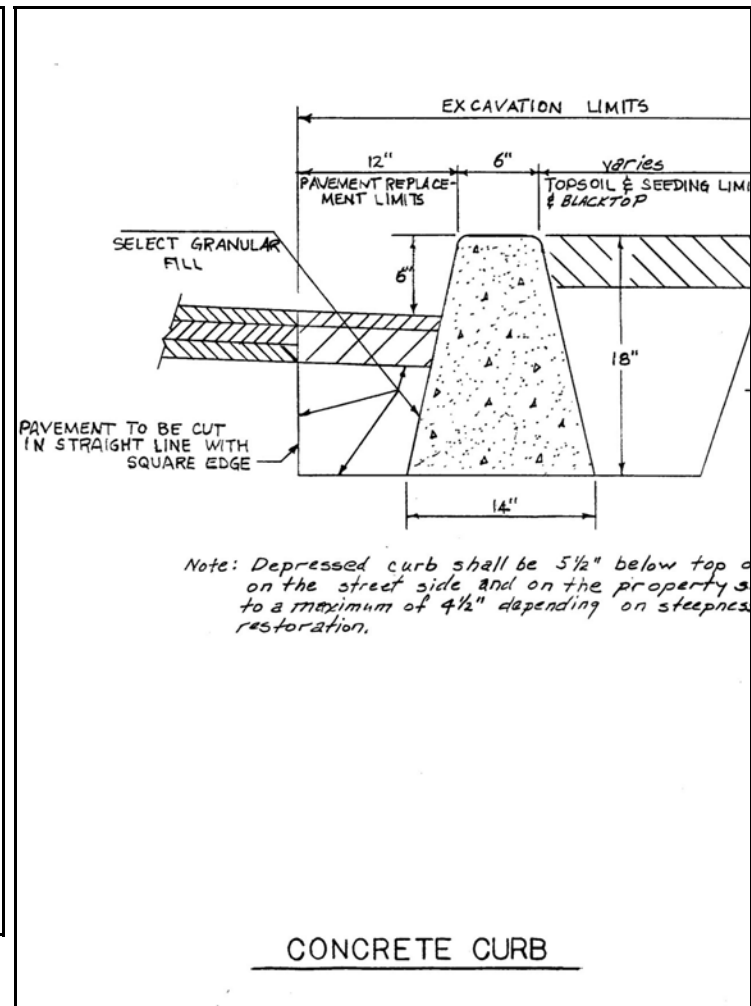
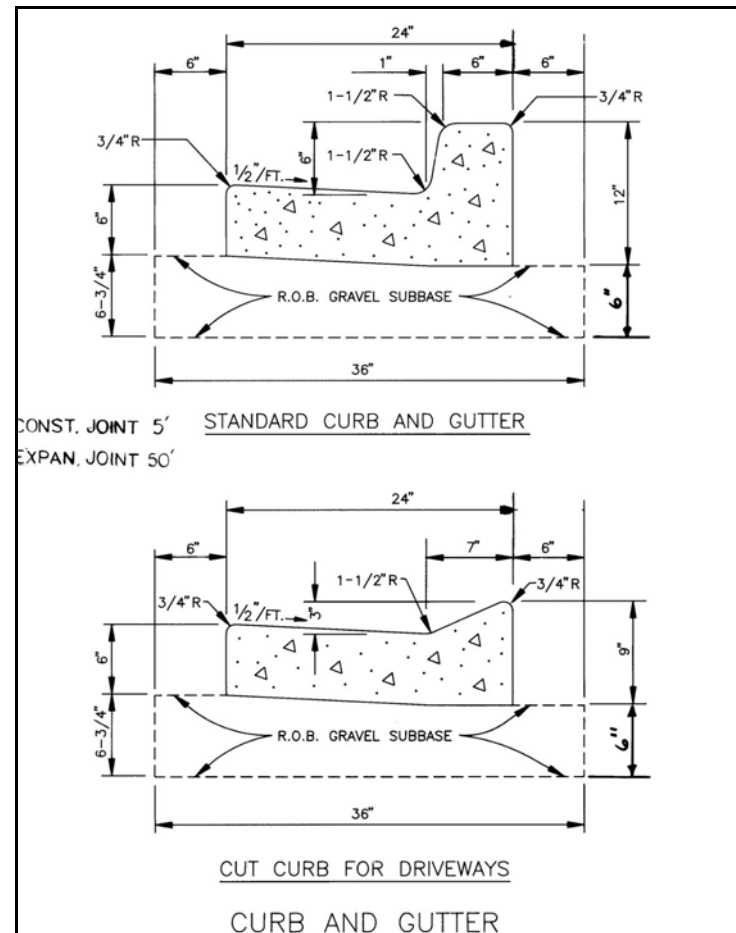
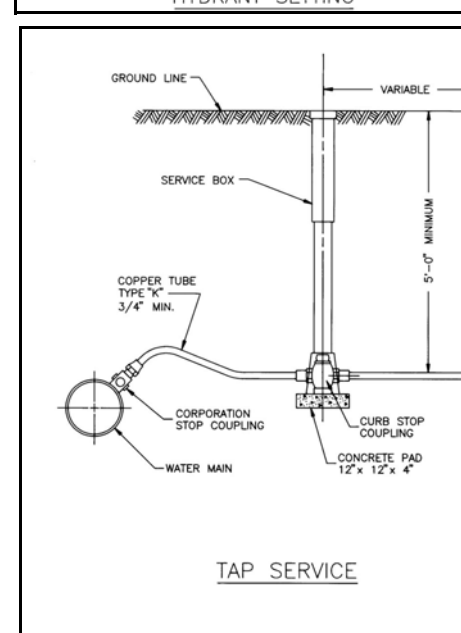
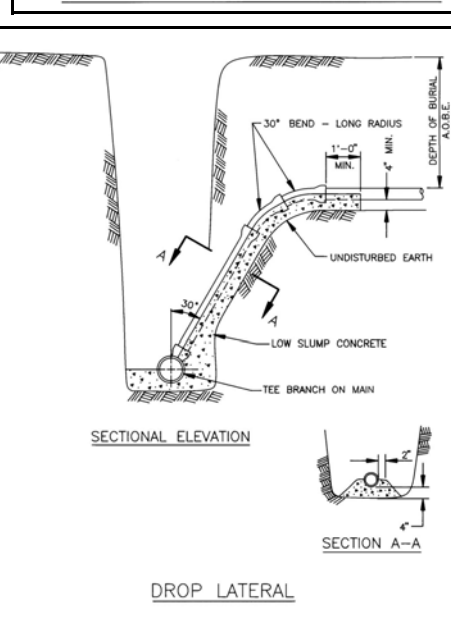
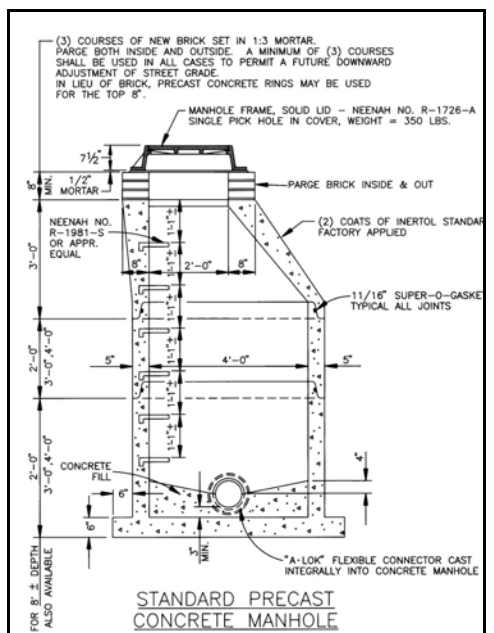
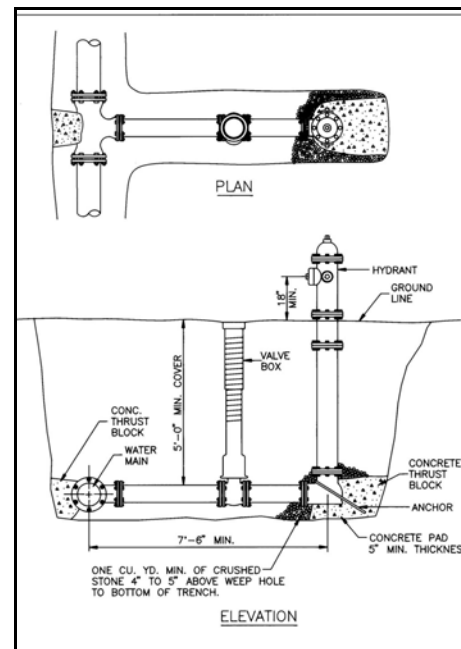
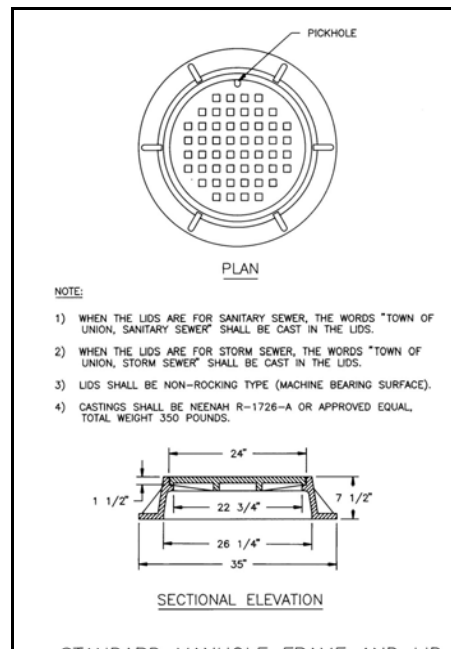
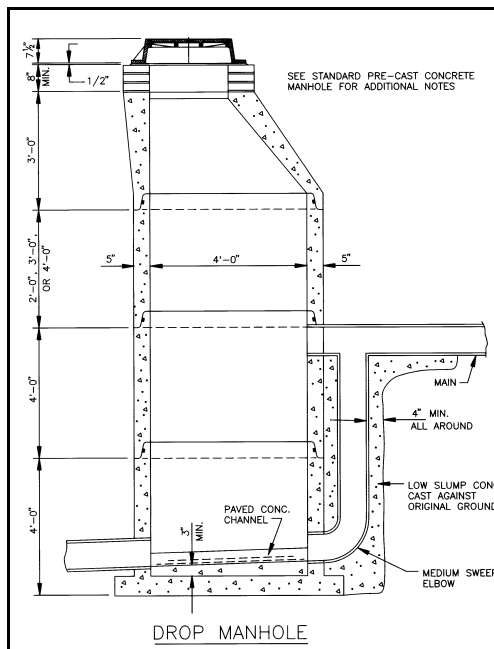
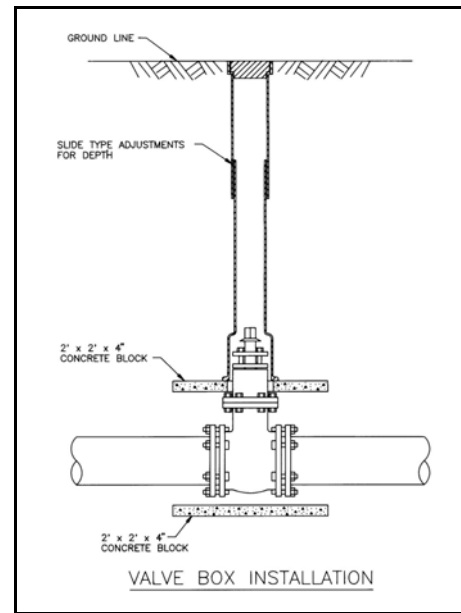
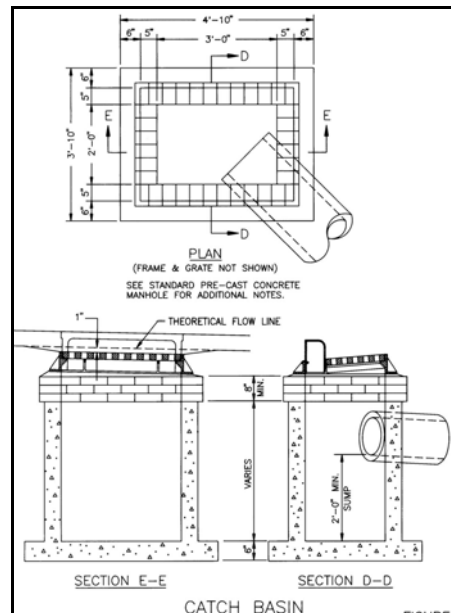
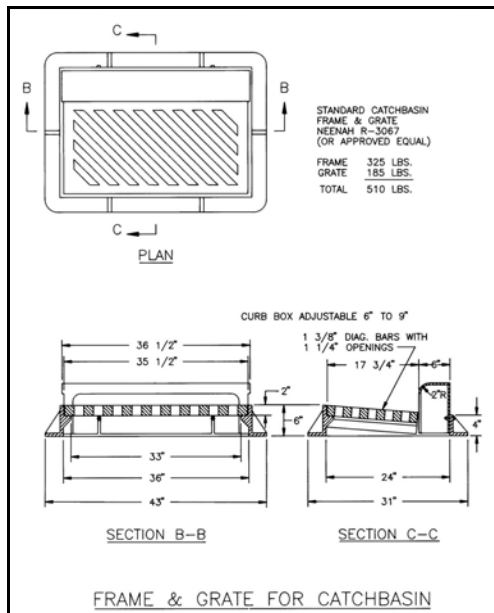


Standard Construction Details





Standard Construction Details

Town Of Union

Index Of Town Standard Construction Drawings
 Shaded Area Indicates Drawing Included In Brochure
 Contact Engineering Department For Remaining Drawings

Drawing	Figure Number
Typical Road Cross Section	FIG1
Curb and Gutter	FIG2
Standard Precast Concrete Manhole	FIG3
Special Manhole—Type S	FIG4
Drop Manhole	FIG5
Typical Manhole Base Channelization	FIG6
Standard Manhole Frame & Lid	FIG7
Concrete Spacer	FIG8
Catch Basin	FIG9
Frame & Grate For Catchbasin	FIG10
Underdrain Installation	FIG11
Trench Excavation, Pipe Bedding & Backfill	FIG12
Bituminous Pavement Restoration	FIG13
Concrete Encasement	FIG14
Drop Lateral	FIG15
Lateral Connection	FIG 16
Lateral Connection w/Cleanout	FIG 16A
Typical Thrust Block & Anchoring Of Bends, Valves, etc.	FIG17
Concrete Thrust Block Table	FIG18
Waterline Crossing	FIG19
Hydrant Setting	FIG20
Valve Box Installation	FIG21
Tap Service	FIG22
Thrust Block & Valve Setting At Intersections	FIG23



Town Of Union Planning Department

Paul A. Nelson, Director
 Marina Lane, Senior Planner

3111 East Main Street
 Endwell, New York 13760

Telephone: 607-786-2975
 Fax: 607-748-0041

E-Mail: planning@townofunion.com
 World Wide Web: www.townofunion.com

Town Code Online: www.townofunion.com/depts_services/plan_zone.htm